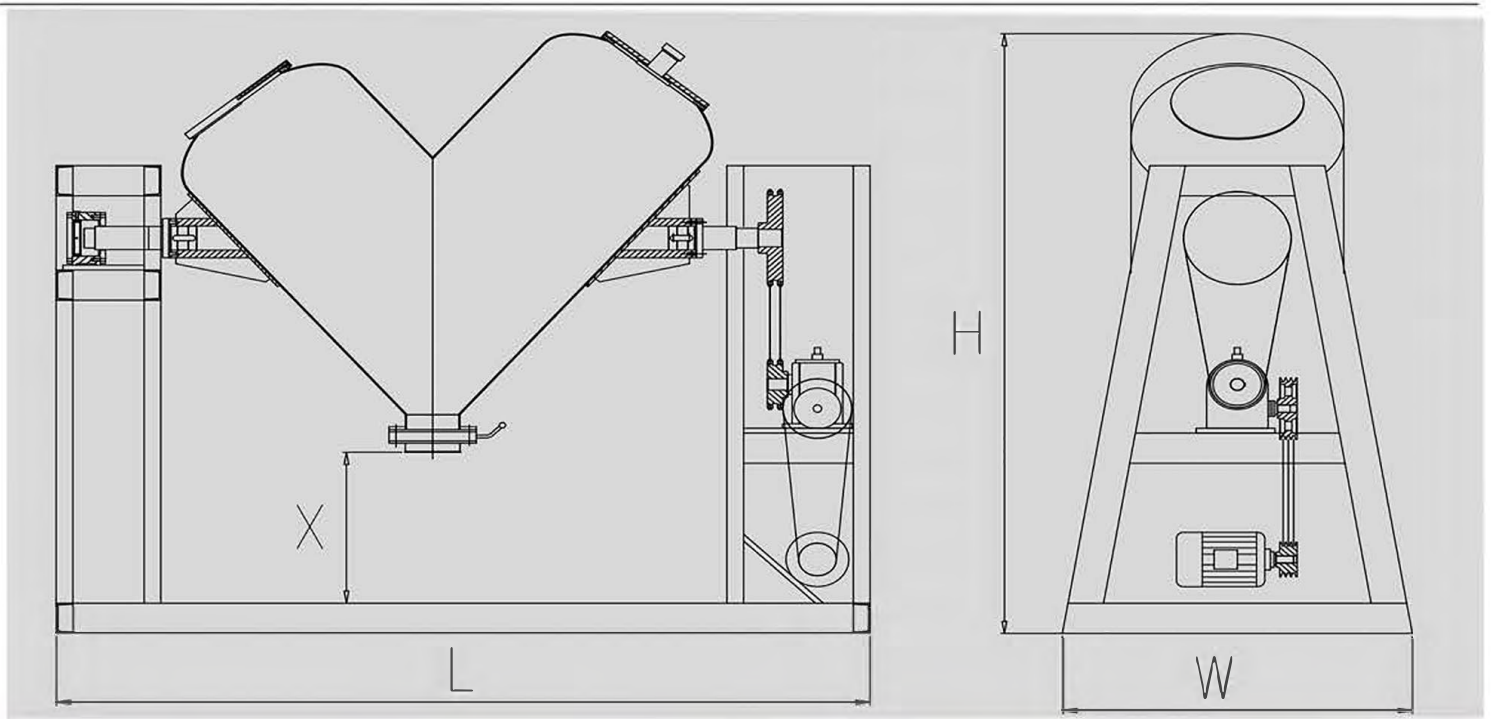


NEC V Blender



Full Capacity/Cu.Ft.	5	10	20	35	50	70	90	105
Working Capacity/Cu.Ft.	2	4	8	14	20	28	36	42
Working Capacity/Gallons	15	30	60	105	150	210	269	314
Motor H.P.	3	4	5	5	7	7	10	12
RPMs of Ribbons	15	15	15	15	14	14	14	13
Discharge Diameter	4"	4"	6"	6"	8"	8"	8"	8"
Overall Length(L)	67"	75"	91"	106"	118"	126"	156"	162"
Overall Width(W)	22"	24"	28"	40"	40"	47"	47"	59"
Overall Height(H)	63"	69"	83"	98"	102"	112"	140"	142"
Rotary Height	65"	75"	89"	106"	114"	128"	150"	152"
Discharge Shroud to Floor(X)	26"	30"	30"	30"	30"	30"	30"	30"
Total Weight/Lbs	400	770	1,220	2,200	2,430	3,300	3,750	3,970

Note: All measurements are approximate

Standard Features:

Interior Construction: 304 or 316 Stainless Steel, with #4 finish.

Exterior Construction: 304 Stainless Steel, with #4 finish.

Motor: SEW or Nord.

Center Discharger: Clamp butterfly valve.

Application: Stainless steel T-type blender mainly used for powder mixing of pharmaceutical and food industry.

Products are available to customize according to request, provide ASME/CE/CRN/AS certification.

UNION STANDARD EQUIPMENT
CONFECTIONERY MACHINERY

Phone: +1-718-585-0200 Email: sales@unionmachinery.com

Website: www.unionmachinery.com