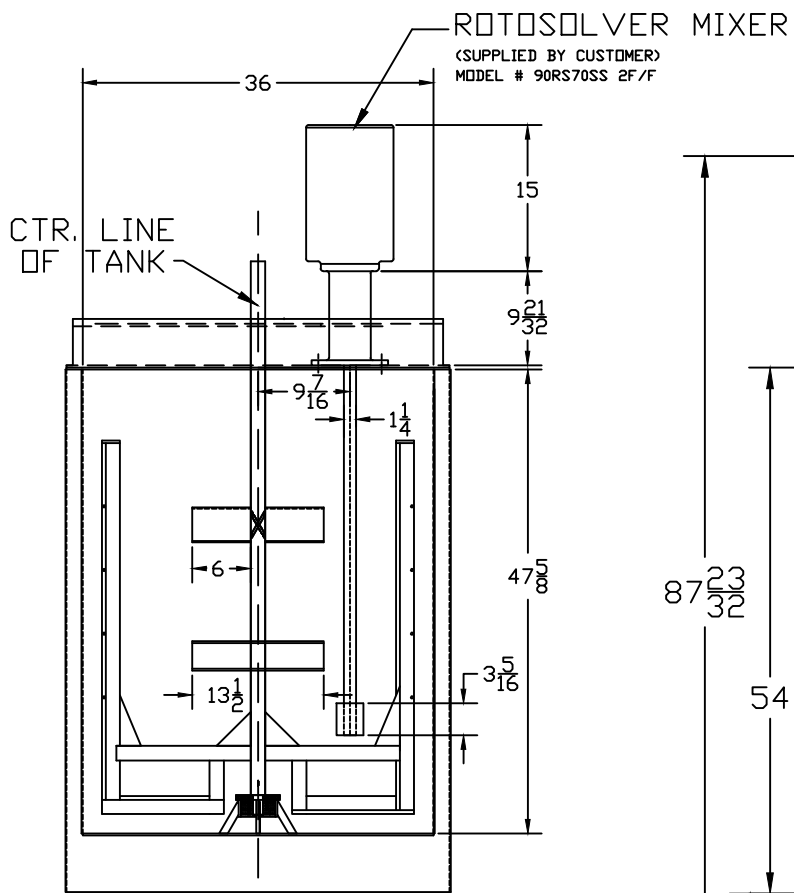
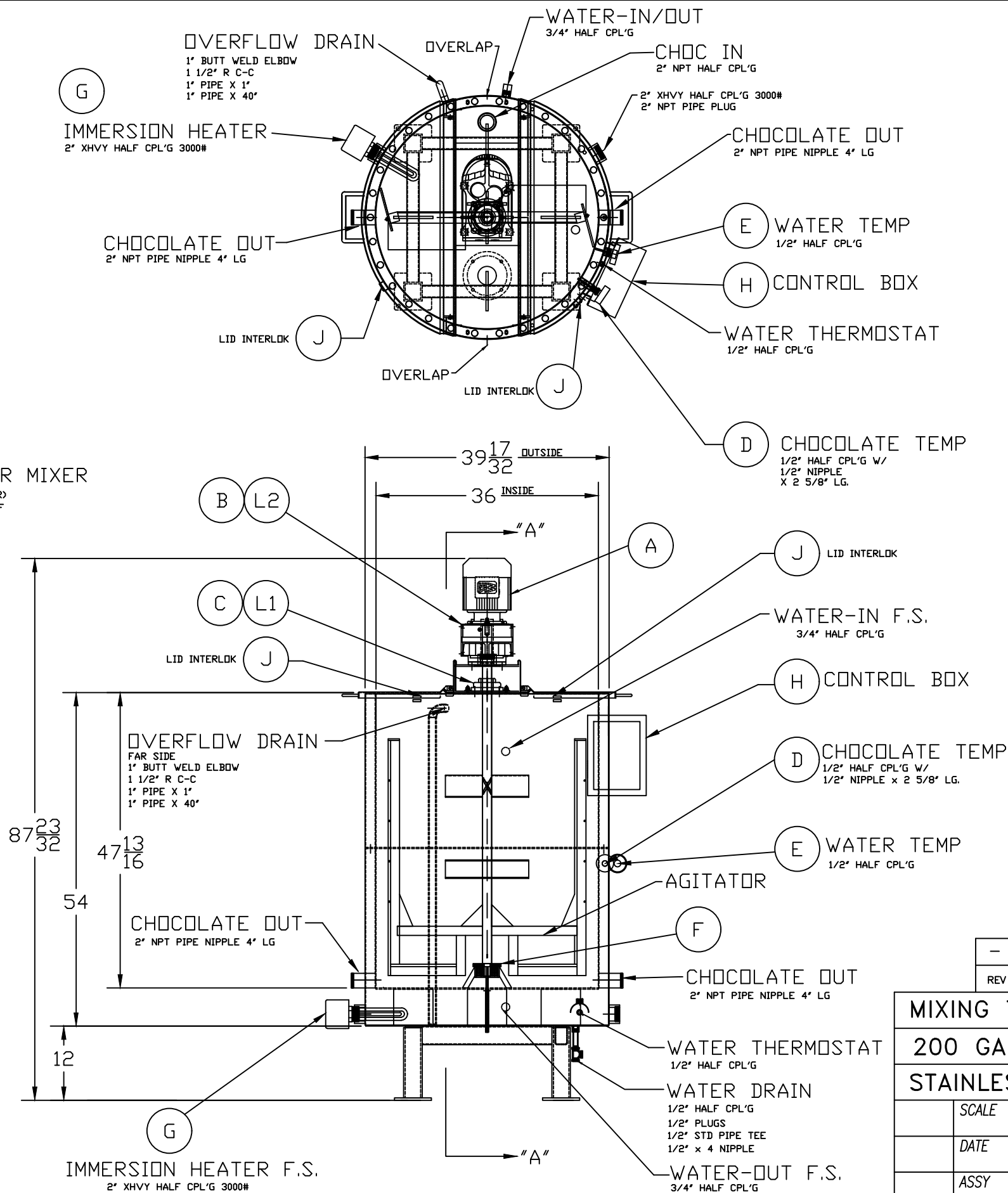


AGIT. PLAN VIEW



SECTION "A-A"



BILL OF MATERIALS		
LETTER	DESCRIPTION	QTY
A-B	SEW GEAR MOTOR/ REDUCER FAZ67DRE90L4 480 VAC 3Ø 2 HP MTG M4 95.94:1 1 1/2" HOLLOW BORE 18 RPM	1
C	FLANGE BEARING 1 1/2" BORE UCF 208-24	1
D	THERMOMETER-CHOC. #33040A205A4 3" DIAL x 4" LG.W/ACRYLIC LENS	1
E	THERMOMETER-WATER #33025A205A4 3" DIAL x 2 1/2" LG.W/ACRYLIC LENS	1
F	BEARING LOWER- UHMW TINSLEY T-3241	1
G	HEATER- WATLOW #BGN711C7S 480V 1Ø 3.0 KW x 11 1/8" LG. 2" NPT	1
H	LID INTERLOK SWITCH	2

LUBRICATION SPECIFICATIONS	
LETTER	DESCRIPTION
L1	FLANGE BRGS- LITHIUM BASED NGLI #2 GREASE-EVERY 6/12 MONTHS
L2	REDUCER- KLUBERSYNTH UH16-460 FOOD GRADE

NOTE ! MAX. WATER PRESSURE NOT TO EXCEED 15 PSI

BELMONT CONFECTIONS
2000 LB. TANK
(1) ASS'Y. REQ'D.
JOB # 16-353

REV	DATE	REVISION	AUTH.
-	-	-	-

MIXING TANK			TINSLEY DESIGN & FABRICATING INC.
200 GALLON			
STAINLESS STEEL			
SCALE	1=12	SIZE	DRAWING No
DATE	04-07-2016	16-353	
ASSY			