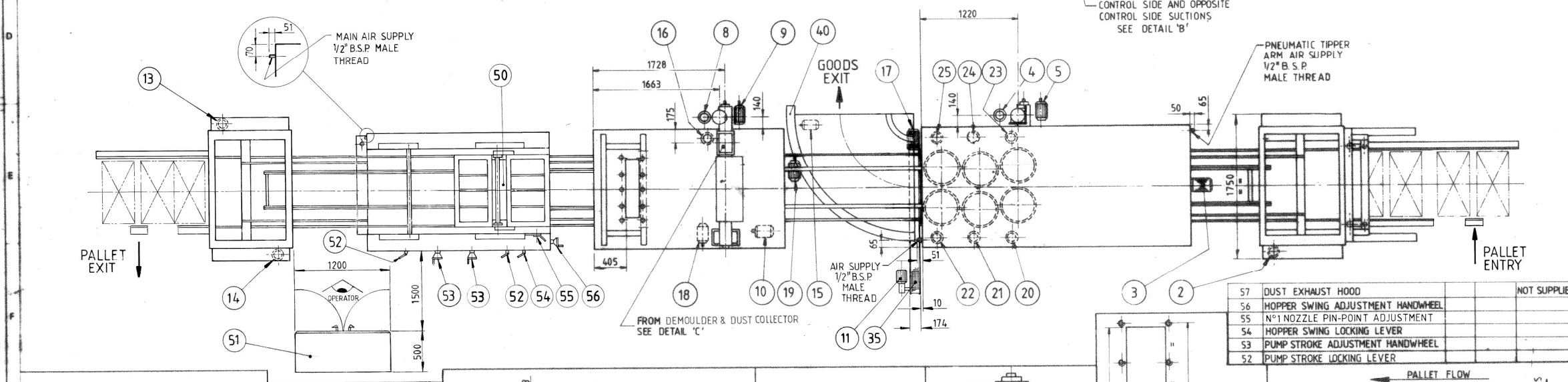
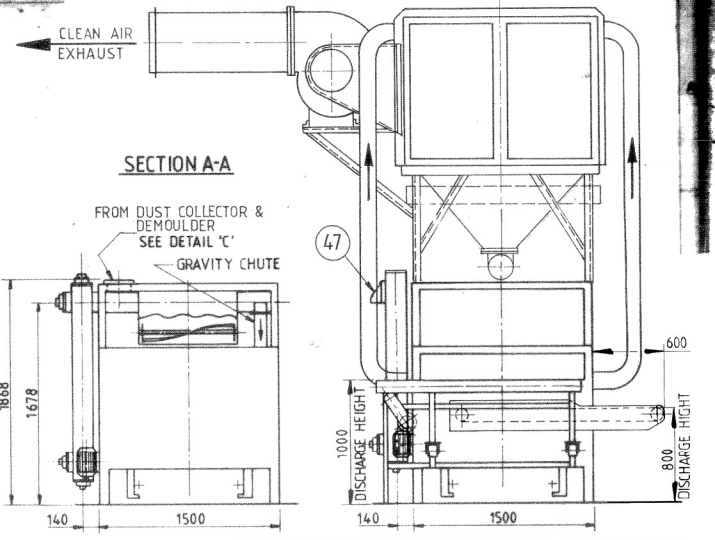
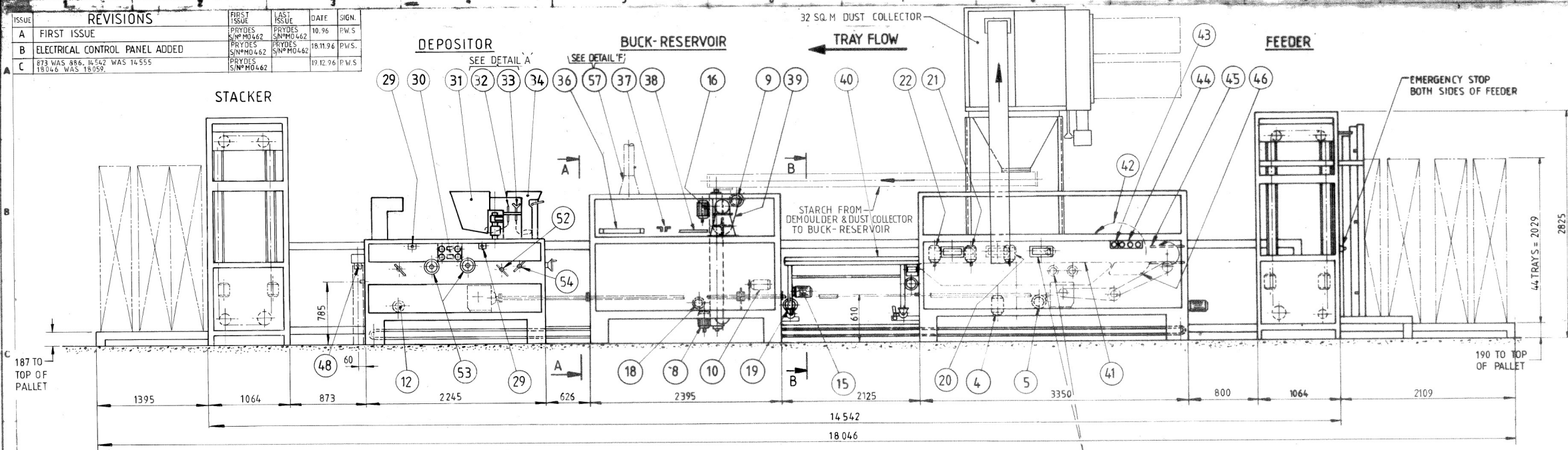


ISSUE	REVISIONS	FIRST ISSUE	LAST ISSUE	DATE	SIGN.
A	FIRST ISSUE	PRYDES S/N M0462	PRYDES S/N M0462	10.96	P.M.S.
B	ELECTRICAL CONTROL PANEL ADDED	PRYDES S/N M0462	PRYDES S/N M0462	18.11.94	P.M.S.
C	873 WAS 886. N.542 WAS 14555 1804.6 WAS 18092	PRYDES S/N M0462	PRYDES S/N M0462	19.12.96	P.M.S.



ITEM	DESCRIPTION	QTY.	MATERIAL	DWG. NO.	REMARKS
51	ELECTRICAL CONTROL PANEL				
50	PUMP N°1				
49					
48	DRAIN				Ø76 OUTSIDE DIAMETER
47	STARCH BLEEDER				
46	TRANSFER CONVEYOR				
45	TURN TABLE				
44	START-STOP-JOG SWITCHES				
43	MANUAL TIPPER ARM RELEASE BUTTON				
42	PNEUMATIC TIPPER ARMS				
41	DEMOULDING BELT				
40	90° BELT CONVEYOR				
39	STARCHBOX				
38	LEVELLER				
37	IN-BETWEEN TRAY BRUSH				
36	PRINTER				
35	AUXILIARY GOODS CONVEYOR				
34	N°1 HOPPER				1/2" B.S.P.
33	HOPPER HEATING WATER AND STEAM INLET				1/2" B.S.P.
32	PUMP LUBRICATION WATER INLET				1/2" B.S.P.
31					
30	VALVE BAR CONTROL MODULE				
29	VALVE BAR "OFF-MAN-AUTO" SWITCHES				
28					
27					
26					
25	OPP CONTROL SIDE SPINNER DRIVE N°6	1	LEROY SOMER		0,5 HP, 0,37 KW, 1325 RPM
24	OPP CONTROL SIDE SPINNER DRIVE N°5	1	LEROY SOMER		0,5 HP, 0,37 KW, 1325 RPM
23	OPP CONTROL SIDE SPINNER DRIVE N°4	1	LEROY SOMER		0,5 HP, 0,37 KW, 1325 RPM
22	CONTROL SIDE SPINNER DRIVE N°3	1	LEROY SOMER		0,5 HP, 0,37 KW, 1325 RPM
21	CONTROL SIDE SPINNER DRIVE N°2	1	LEROY SOMER		0,5 HP, 0,37 KW, 1325 RPM
20	CONTROL SIDE SPINNER DRIVE N°1	1	LEROY SOMER		0,5 HP, 0,37 KW, 1325 RPM
19	BUCK-RESERVOIR MAIN DRIVE	1	LEROY SOMER		1,0 HP, 0,75 KW, 885 RPM
18	CROSS SPIRAL DRIVE-BUCK RESERVOIR	1	LEROY SOMER		1,0 HP, 0,75 KW, 885 RPM
17	FLICKER SHAFT DRIVE	1	LEROY SOMER		0,5 HP, 0,37 KW, 1325 RPM
16	STARCHBOX PADDLE DRIVE	1	LEROY SOMER		1,0 HP, 0,75 KW, 1340 RPM
15	90° BELT TURN DRIVE	1	LEROY SOMER		0,5 HP, 0,37 KW, 1325 RPM
14	STACKER RUN-OUT DRIVE	1	LEROY SOMER		1,0 HP, 0,75 KW, 885 RPM
13	STACKER MAIN DRIVE	1	LEROY SOMER		1,0 HP, 0,75 KW, 885 RPM
12	PALLET UNDERFEED DRIVE-DEPOSITOR	1	LEROY SOMER		0,5 HP, 0,37 KW, 1325 RPM
11	AUXILIARY GOODS CONVEYOR DRIVE	1	LEROY SOMER		0,5 HP, 0,37 KW, 1325 RPM
10	MOGUL MAIN DRIVE - BUCK RESERVOIR	1	LEROY SOMER		3,0 HP, 2,2 KW, 935 RPM
9	SKIMMING SPIRAL DRIVE - BUCK RES.	1	LEROY SOMER		1,0 HP, 0,75 KW, 885 RPM
8	VERTICAL ELEVATOR DRIVE - BUCK RES.	1	LEROY SOMER		1,5 HP, 1,1 KW, 1355 RPM
7					
6	CROSS SPIRAL DRIVE-DEMOULDER	1	LEROY SOMER		1,0 HP, 0,75 KW, 885 RPM
5	VERTICAL ELEVATOR DRIVE-DEMOULD.	1	LEROY SOMER		2,0 HP, 1,5 KW, 1330 RPM
4	DEMOULDER THROUGH SPIRAL DRIVE	1	LEROY SOMER		1,0 HP, 0,75 KW, 1330 RPM
3	FEEDER RUN IN DRIVE	1	LEROY SOMER		1,0 HP, 0,75 KW, 885 RPM
2					
1					
TITLE	M301-P DOUBLE HOPPER DEPOSITOR MOGUL FLOOR PLAN				
SCALE	1:25				
DATE	10/96				
DRWG. NO.	BS 9202-9041 B				
ISSUE	1				
SHEET	1 OF 1				

