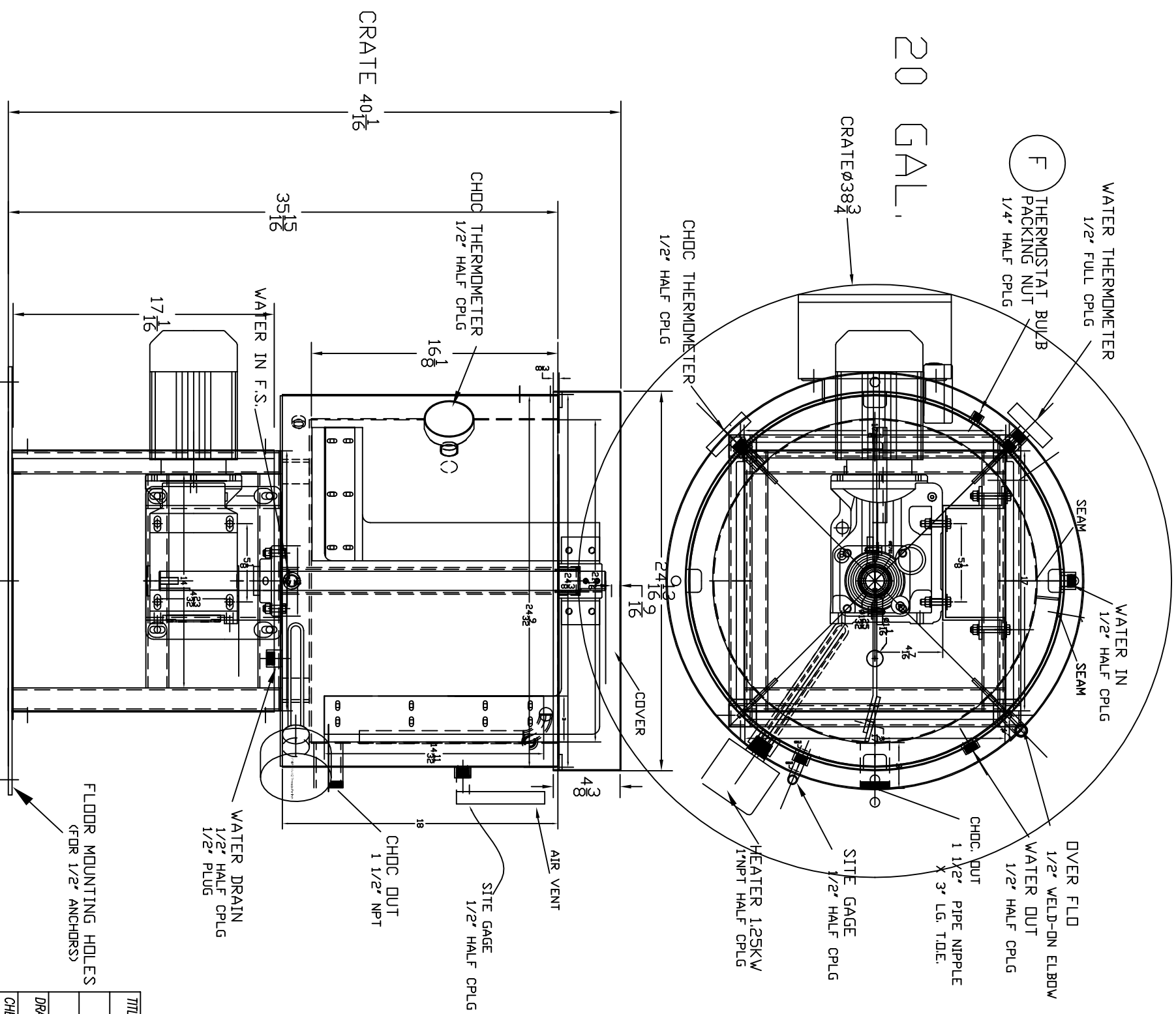


20 GAL.

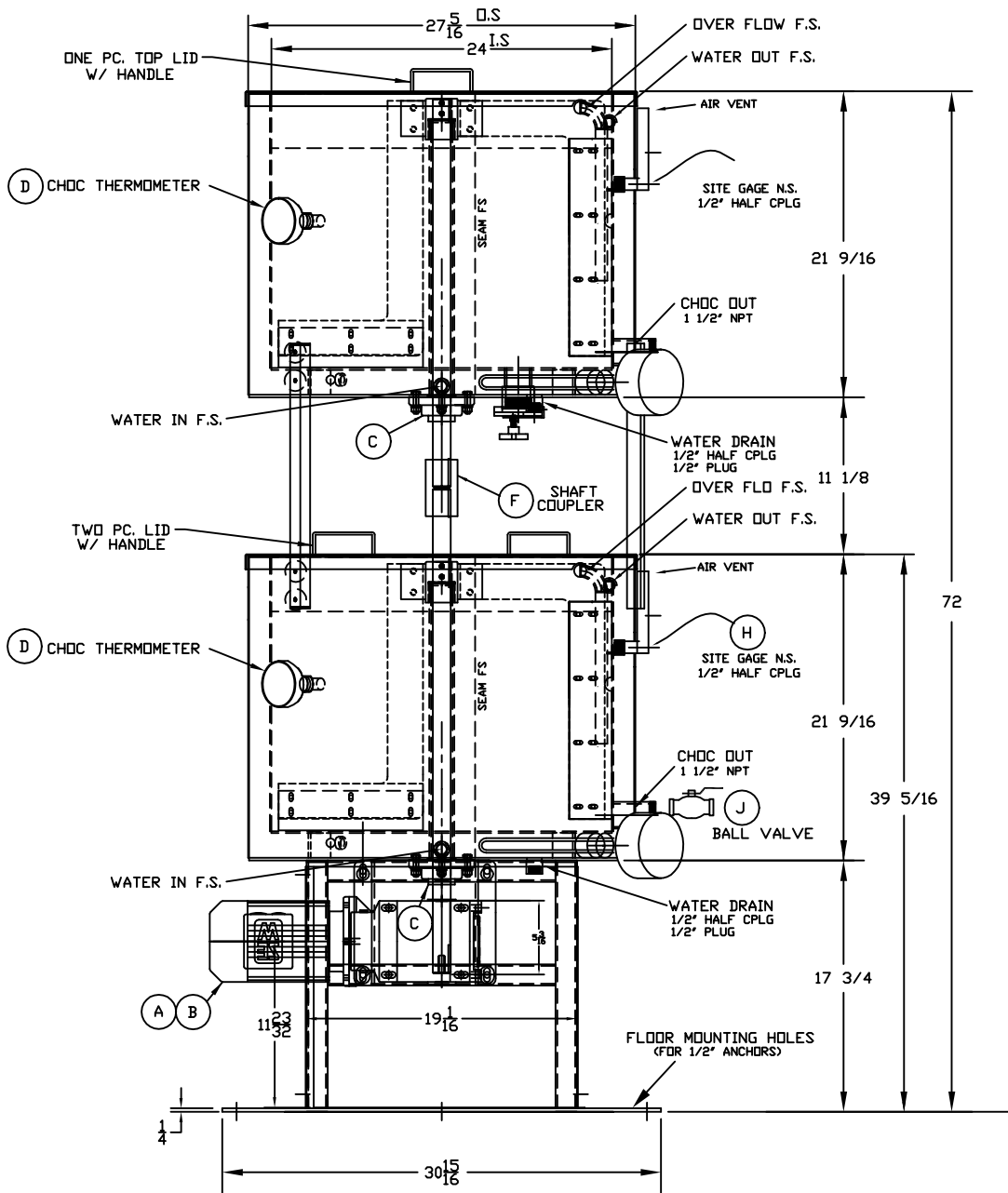
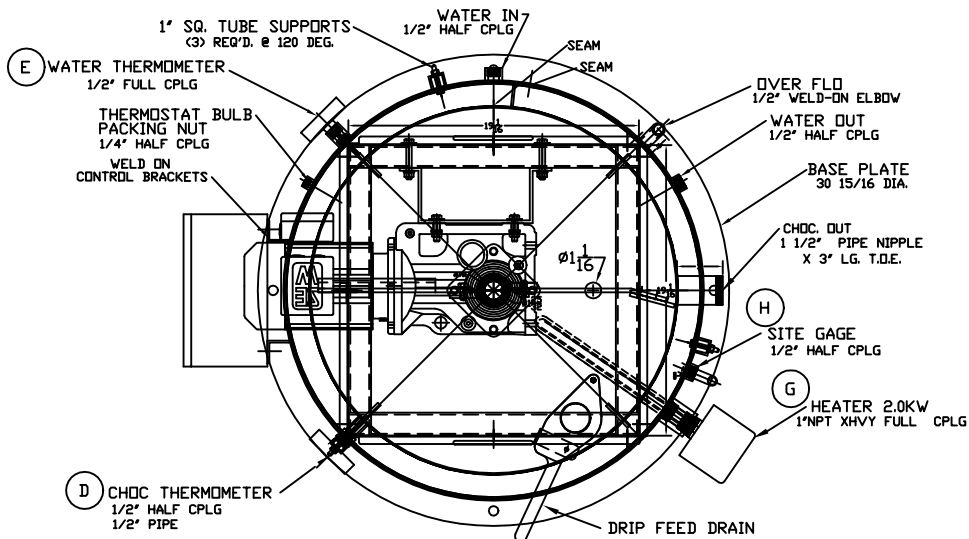


REV	DATE	REVISION	AUTH.
-	-	-	-

TITLE		MELTING TANK	
20 GALLON (200 #)		CARBON OR STAINLESS STEEL	
DRAWN	SCALE	SIZE	DRAWING No
CHECKED	DATE	D	T-3245
MATERIAL	ASSY		

TINSLEY
DESIGN & FABRICATING INC.

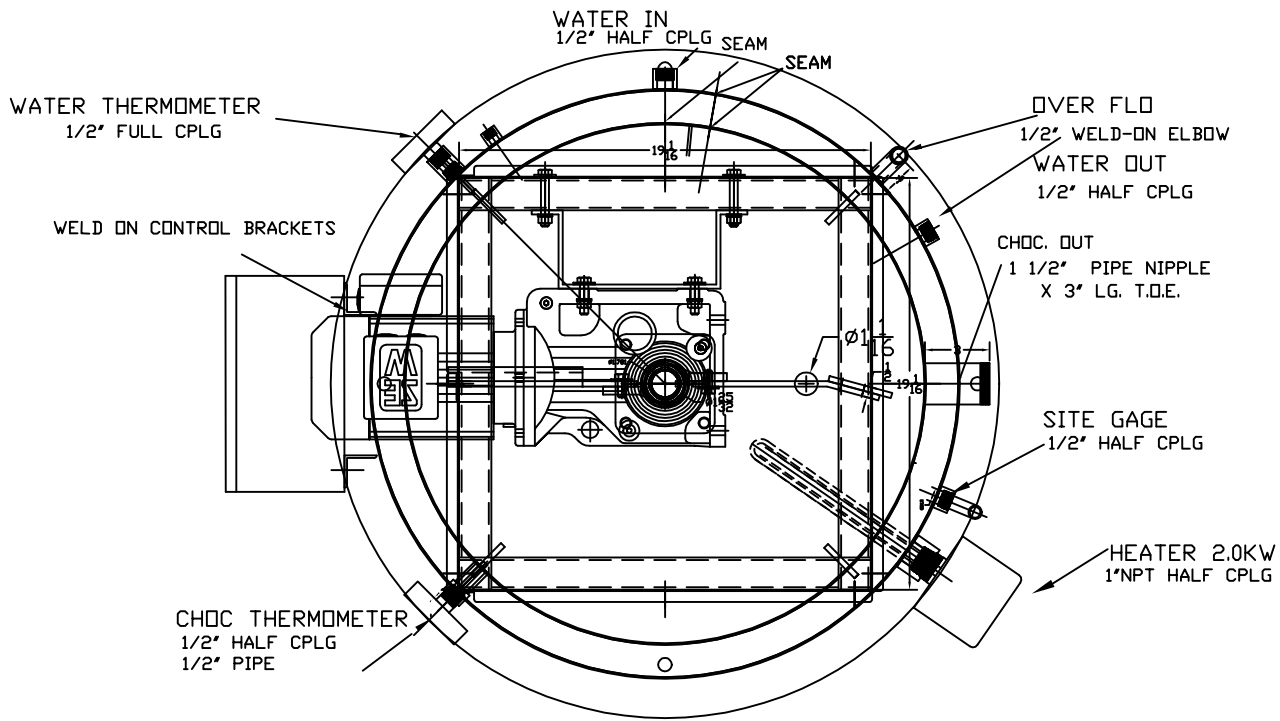
BILL OF MATERIALS		
LETTER	DESCRIPTION	QTY
A-B	GEAR MOTOR/REDUCER SEW KA47BAM56 13 RPM, 3/4 H.P. BALDOR 120 VAC, 60 HZ., 1 PH. 1 1/4" HOLLOW BORE	1
C	FLANGE BEARING 1 1/4" BORE UCFX06-20	2
D	THERMOMETER- CHOCOLATE BSI#33025A205A4 X 2 1/2" LG.	2
E	THERMOMETER- WATER BSI#33025A205A4 X 2 1/2" LG.	2
F	SHAFT COUPLING CCF 1 1/4-1 1/4-SS-K	1
G	HEATER 2.0KW, 120VAC, 1 PH., 1"NPT CHROMALOX #36361	2
H	SIGHT GLASS MMC#1111K26	2
J	DISCOVER BALL VALVE 1 1/2" FULL PORT #101092	1



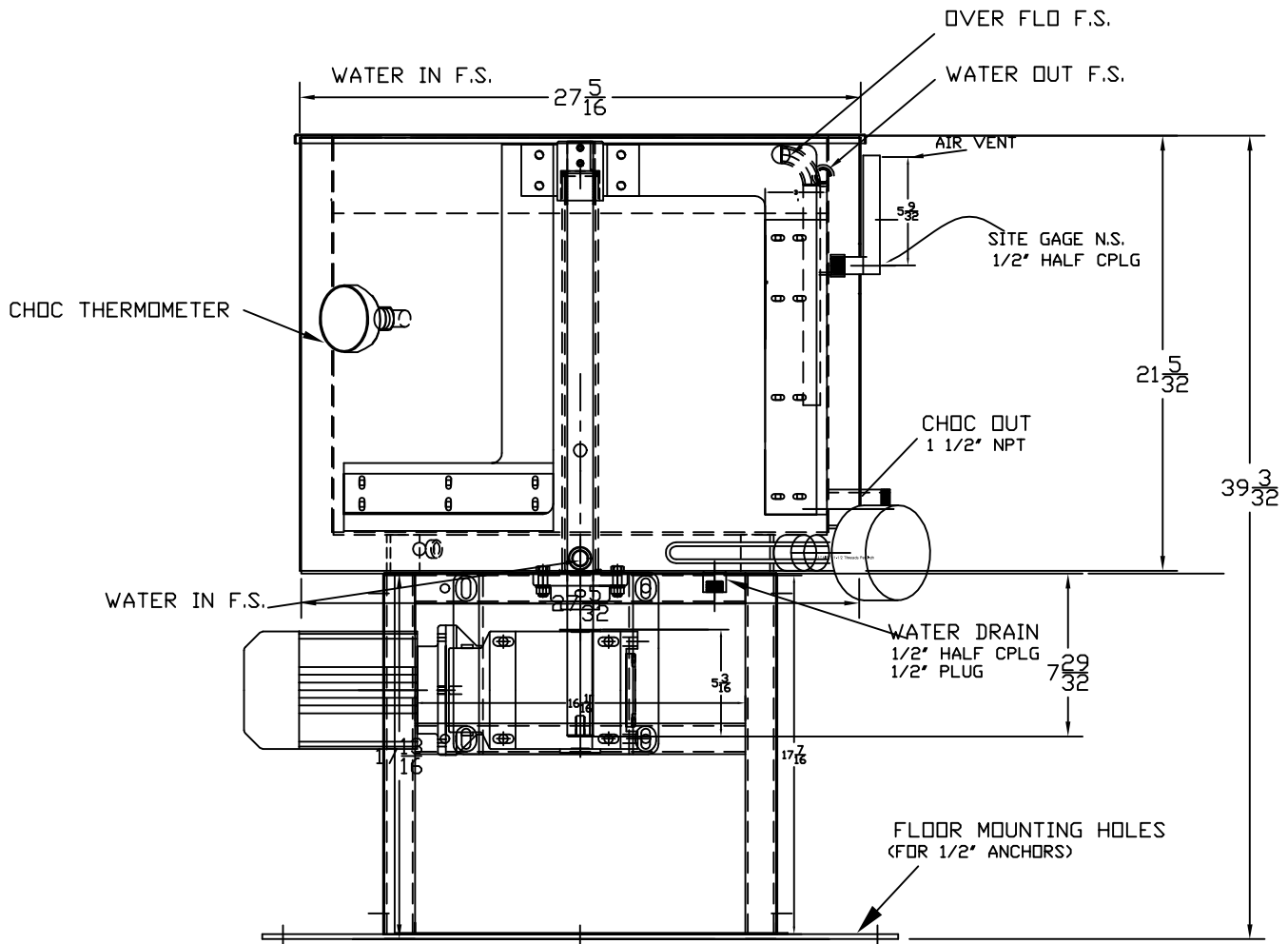
BARKUS CHOCOLATES INC.
300 LB. DOUBLE TANK
(1) REQ'D. JOB # 12-5147

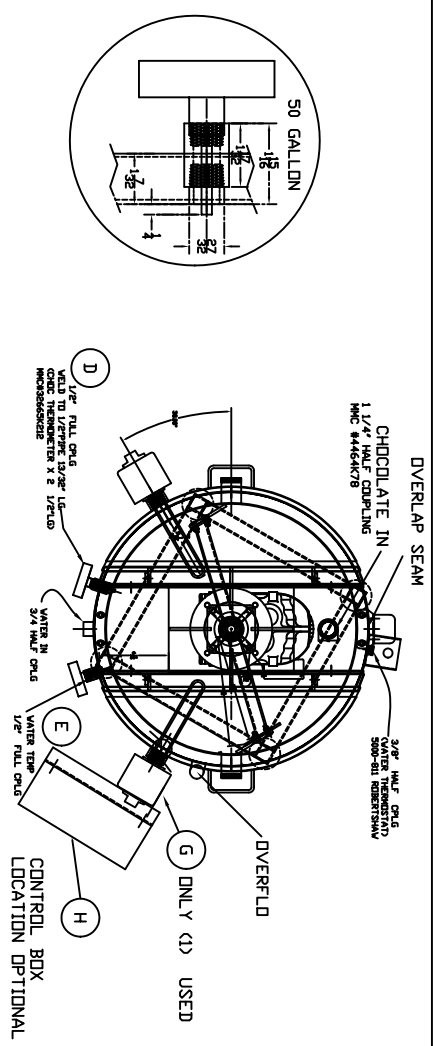
REV	DATE	REVISION	AUTH.
-	-	-	-

MELTING TANK		
30 Over 30 GALLON		
CARBON STEEL		
SCALE	1=6	SIZE DRAWING No T-3246
DATE	06-05-12	
ASSY	-	



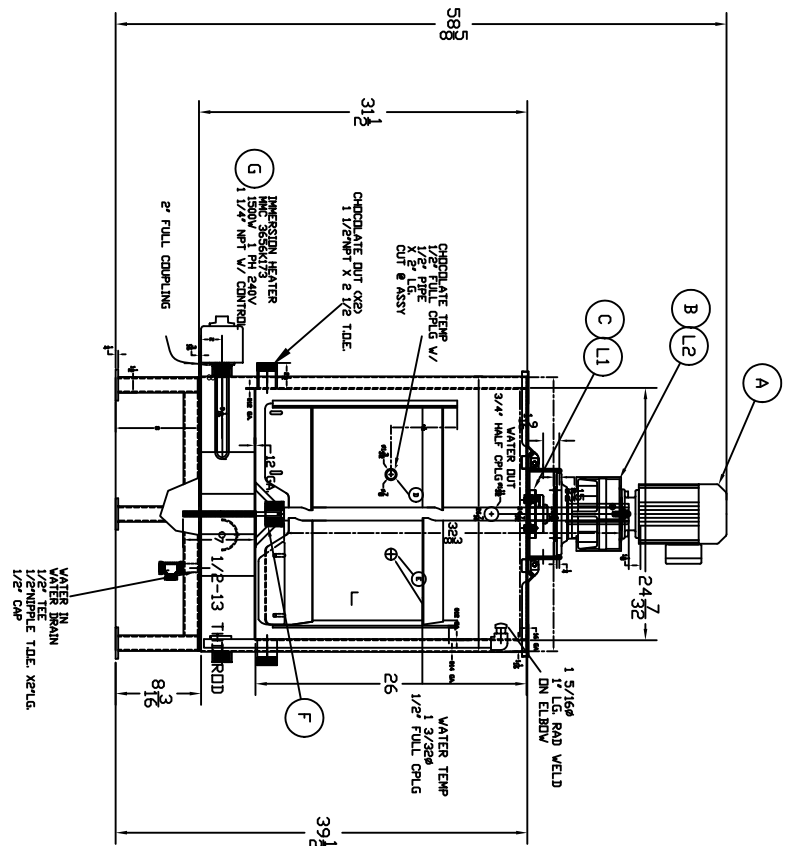
30 GALLON





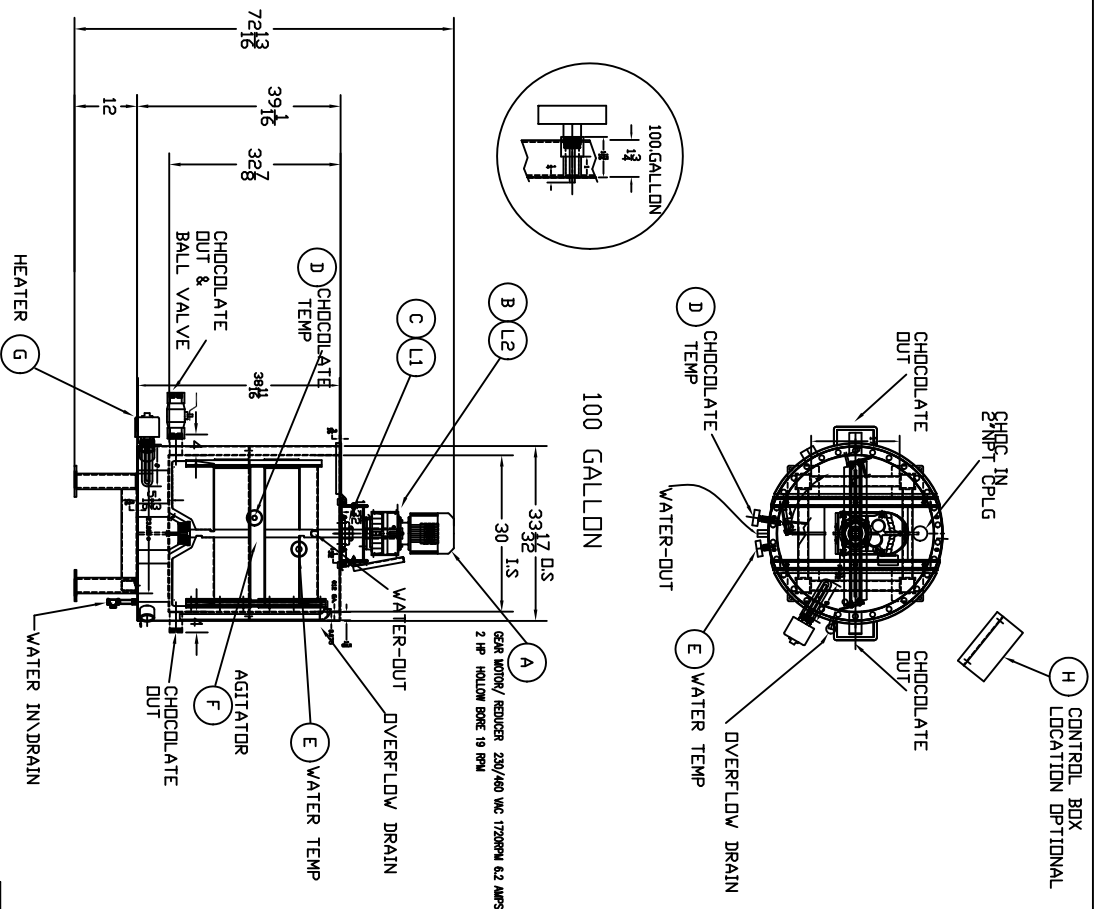
BILL OF MATERIALS		
LETTER	DESCRIPTION	QTY
A-B	GEAR MOTOR/REDUCER PFAFF/THOMAS 1878W 240/480 VAC 1 HP WIG HI 96:1 1 1/4" HOLLOW BORE	1
C	FLAME BURNING 1 1/2" BONE UOE 207-20	1
D	THERMOMETER- CHOCOLATE #33025A0064 X 2 1/2" LG.	1
E	THERMOMETER- WATER #33025A0064 X 2 1/2" LG.	1
F	BEARING LOWER- UHMW TINSLEY T-3000	1
G	HEATON HEATER- 240V 1500W 14 2"PT W/CONTROL	1
H	CONTROL BOX 240 OR 480VAC HEAT 12 LAMPION BOX 60 AMP FUSE DISCONNECT/MANUAL MOTOR STARTER W/OVERLOAD PROTECTION FOR 3 HP MOTOR	1

LUBRICATION SPECIFICATIONS	
LETTER	
L1	FLAME BRGS- LITHIUM BASED NAU #2 GREASE-CARRY 6/12 MONTHS
L2	REDUCER- MOBILE OIL- 600 W SUPER CLINDER



REV	DATE	REVISION	AUTH
-	-	-	-

MELTING TANK 50 GALLON		TINSLEY DESIGN & FABRICATING INC.
CARBON OR STAINLESS STEEL		
SCALE	1-6	SIZE DRAWING NO T-3239
DATE	12-15-06	
ASSY	-	D



BILL OF MATERIALS

LETTER	DESCRIPTION	QTY
A-B	GEAR MOTOR/REDUCER F4207004 230/400 WAC 30	1
C	2 HP WIG 84 80351 1 1/2" HOLLOW BORE 19 RPM	1
D	FLAME BURNING 1 1/2" BONE UOE 208-24	1
E	THERMOMETER- CHOCOLATE IAC F330402054 37MM X 4" LG.	1
F	THERMOMETER- WATER IAC F302540054 37MM X 2 1/2" LG.	1
G	HEATING LUMER- LINUM INSULET 1-3241	1
H	HEATSON HEATER- 240W 1500W 14 2"HT W/CONTROL	2
	CONTROL BOX 240 OR 480WAC HEATIZ JUNCTION BOX 60 AMP FUSE	1
	DISCONNECT/MANUAL MOTOR STARTER W/OVERFLOW PROTECTION FOR 3 HP MOTOR	1

LUBRICATION SPECIFICATIONS

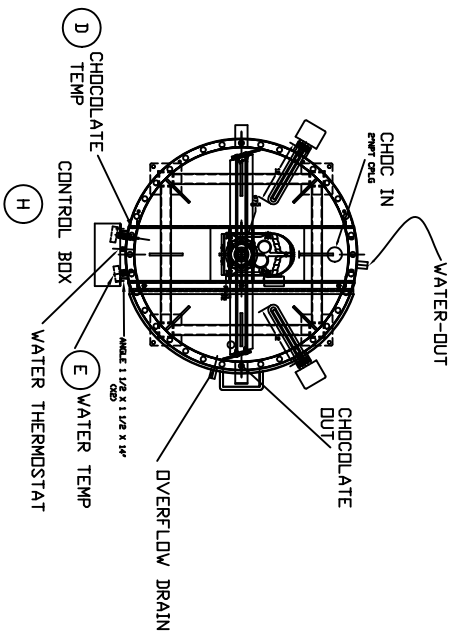
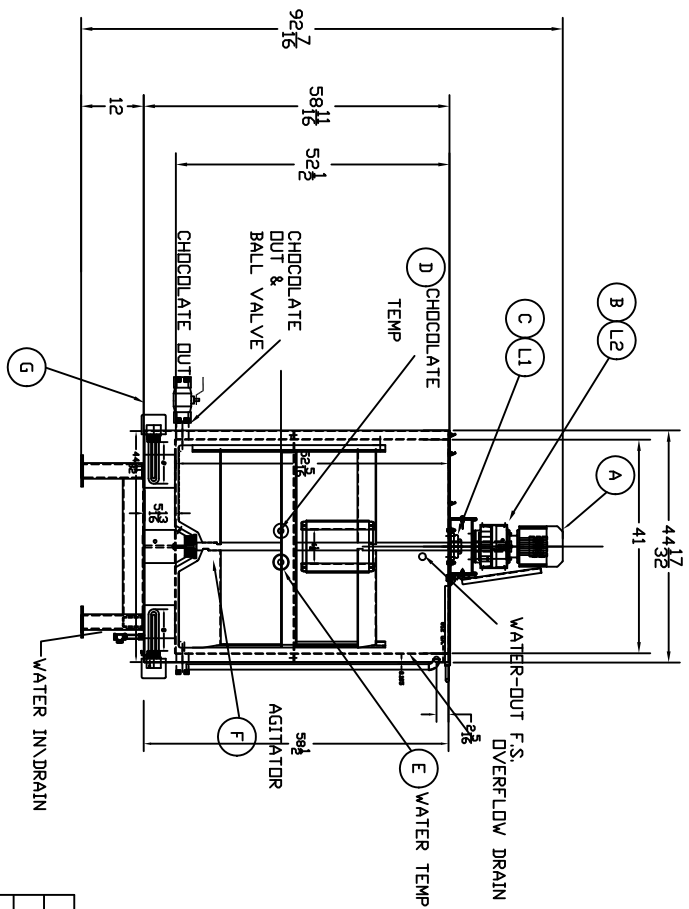
LETTER	DESCRIPTION
L1	FLAME BRGS- LITHIUM BASED HEAVY #2 GREASE-CARRY 6/12 MONTHS
L2	REDUCER- MOBILE OIL- 600 W SUPER CLINDER

REV	DATE	REVISION	AUTH
-	-	-	-

MELTING TANK	100 GALLON	CARBON STEEL
SCALE	1=12	
DATE	03-023-07	
ASSY		

SIZE	DRAWING NO	T-3242
------	------------	--------

TINSLEY
DESIGN & FABRICATING INC.



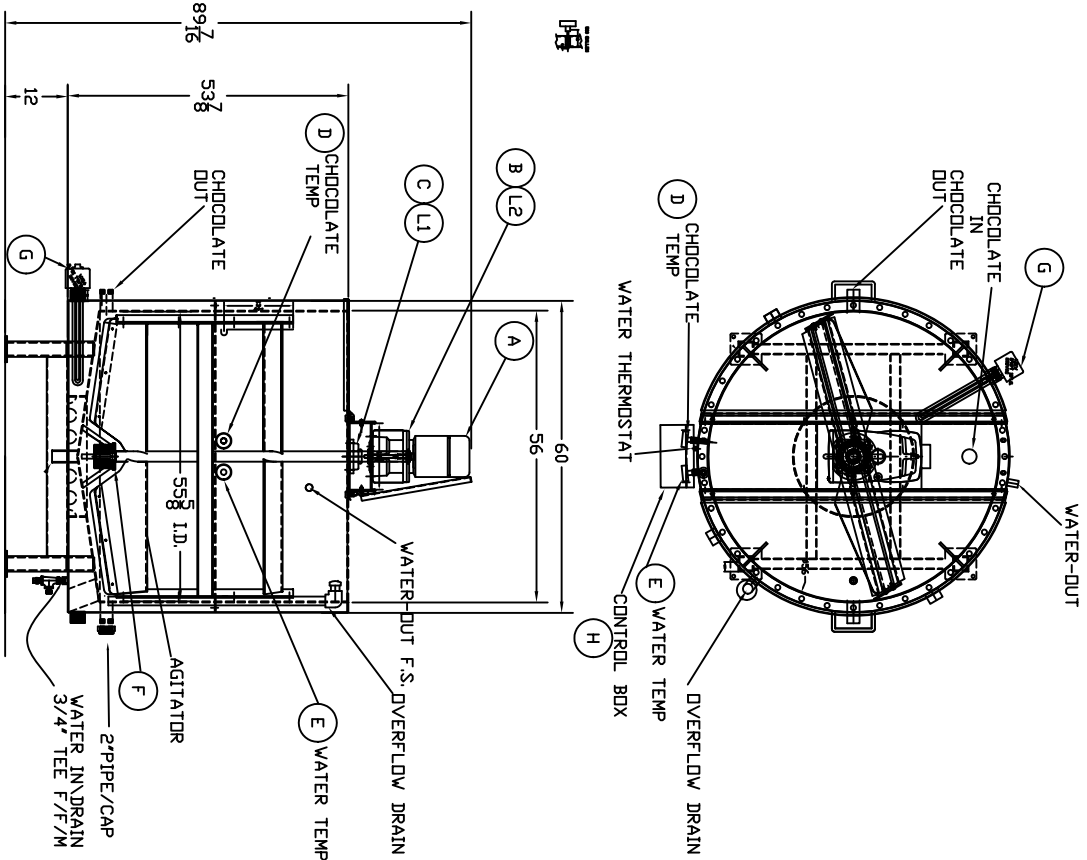
BILL OF MATERIALS		
LETTER	DESCRIPTION	QTY
A-B	GEAR MOTOR/REDUCER FACTORIAL 208 WC 3#	1
C	2 HP. WIG. BR. 60/59T 1 1/2" HOLLOW BORE	1
D	FLANGE BEARING 1 1/2" BORE UDF 208-24	1
E	THERMOMETER-CHOCOLATE IAC #3268222 3" TALL X 4" LG.	1
F	THERMOMETER- WATER IAC #3268212 3" TALL X 2 1/2" LG.	1
G	BEARING LUBER- UNIM. TINSLET 1-3241	1
H	VERSION HEATER- IAC #3568173 220V. 1A. 1.5KW W/CONTROL	2
	CONTROL BOX 240 DR. 480VAC. HEAVY 1/2" JUNCTION BOX 60 AMP FUSE	1
	DISCONNECT/MANUAL MOTOR STARTER W/OVERLOAD PROTECTION FOR 3 HP MOTOR	1

LUBRICATION SPECIFICATIONS	
LETTER	DESCRIPTION
L1	FLAME BRGS- LITHIUM BASED NSL #2 GREASE-CARRY 6/12 MONTHS
L2	REDUCER- MOBILE OIL- 600 W SUPER CLINDER

REV	DATE	REVISION	AUTH.
-	-	-	-

MIXING TANK	300 GALLON	CARBON STEEL	
SCALE	1=1/2	DATE	05-16-07
SIZE	DRAWING No	ASSY	

TINSLEY	DESIGN & FABRICATING INC.
T-3243	



BILL OF MATERIALS		
LETTER	DESCRIPTION	QTY
A-B	GEAR MOTOR/REDUCER S&S282028-100C-4 302521 240/480 WC	1
C	3 HP WIG HI TOR 1 7/8 HOLLOW BONE	1
D	FLANGE BEARING 2" BORE ICF 211-32	1
E	THERMOMETER- CHOCOLATE IAC #3268222 37"DL X 4" LG	1
F	THERMOMETER- WATER IAC #3268212 37"DL X 2 1/2" LG	1
G	BEARING LINER- UHMW INSULET 1-3038	1
H	HEATER 4.0KW 230VAC 14.830W/0.0135819 X 181G 230V	1
	CONTROL BOX 240 DR 480VAC HEWLETT JUNCTION BOX 60 AMP FUSE	1
	DISCONNECT/MANUAL MOTOR STARTER W/OVERLOAD PROTECTION FOR 3 HP MOTOR	1

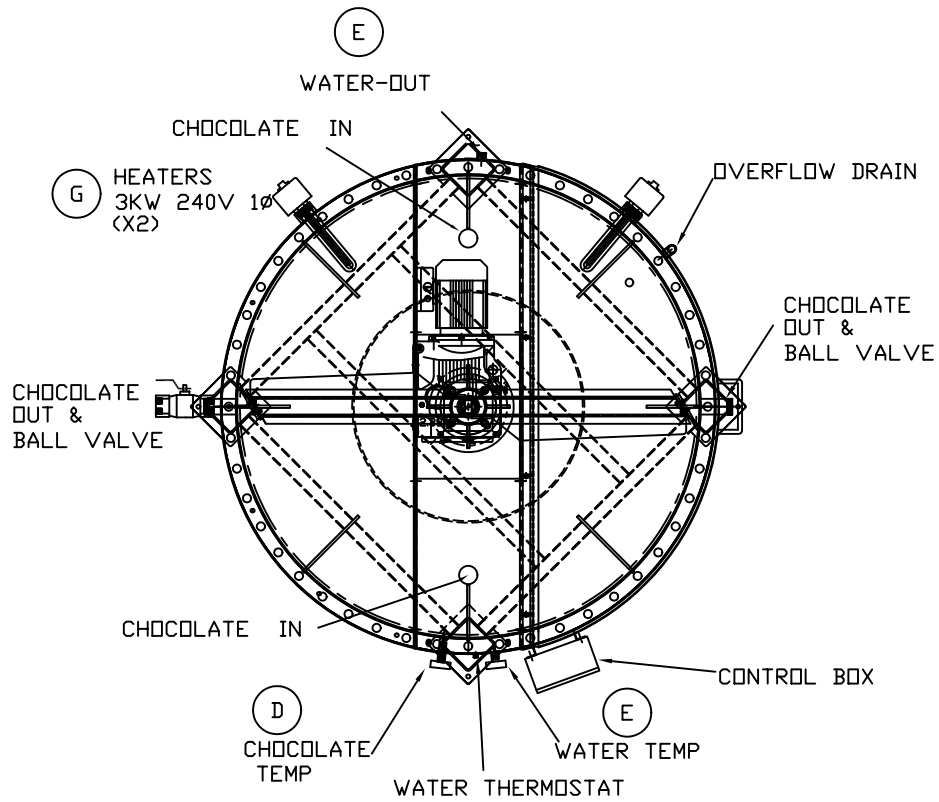
LUBRICATION SPECIFICATIONS	
LETTER	DESCRIPTION
L1	FLANGE BRGS- LITHIUM BASED NAU #2 GREASE-CARRY 6/12 MONTHS
L2	REDUCER- MOBILE OIL- 600 W SUPER CLINDER

REV	DATE	REVISION	AUTH
-	-	-	-

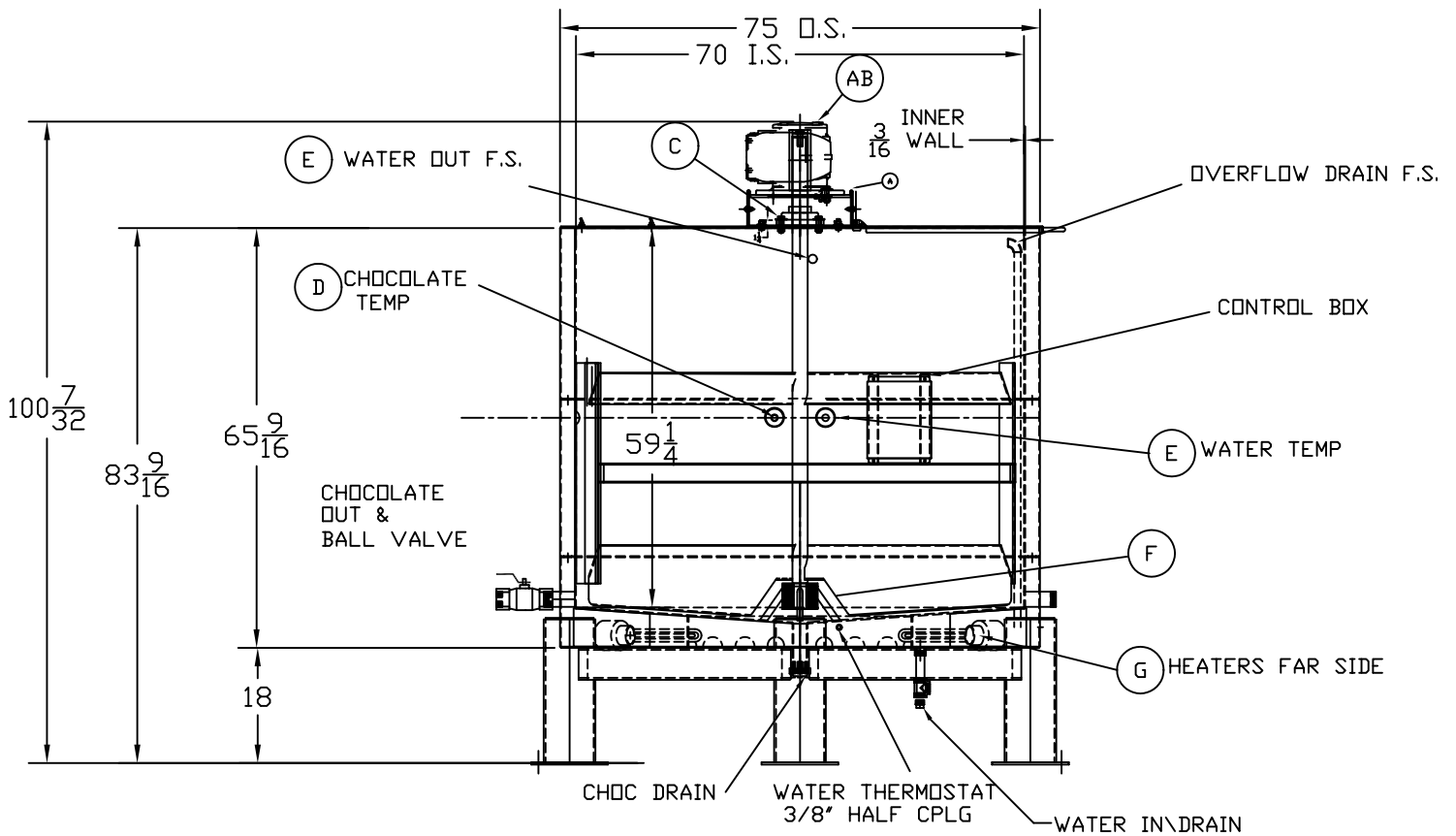
MELTING TANK	500 GALLON	CARBON STEEL
SCALE	1=12	
DATE	04-01-2006	
ASSY	REF 06-4125	

SIZE	DRAWING No	T-3043
------	------------	--------

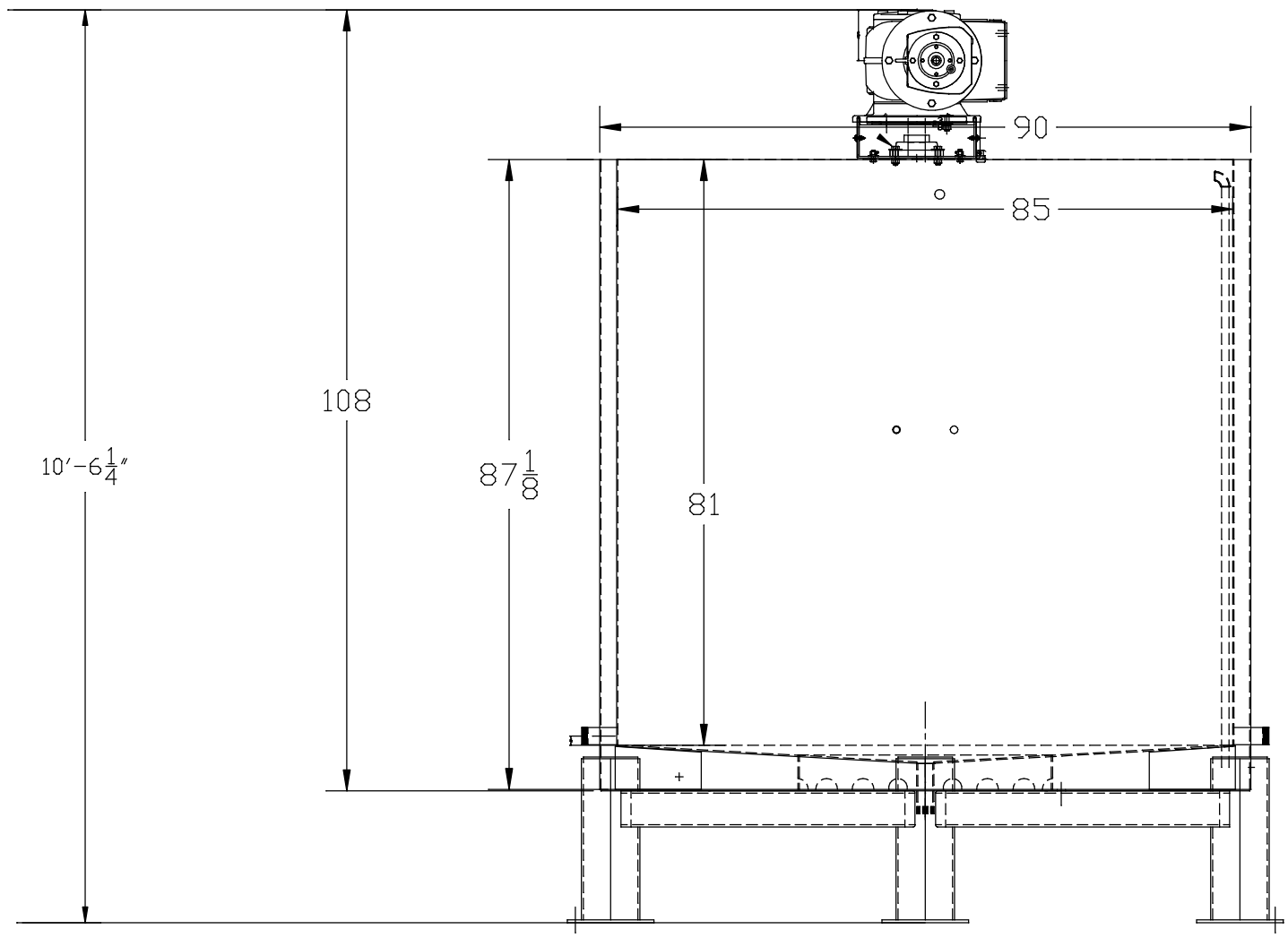
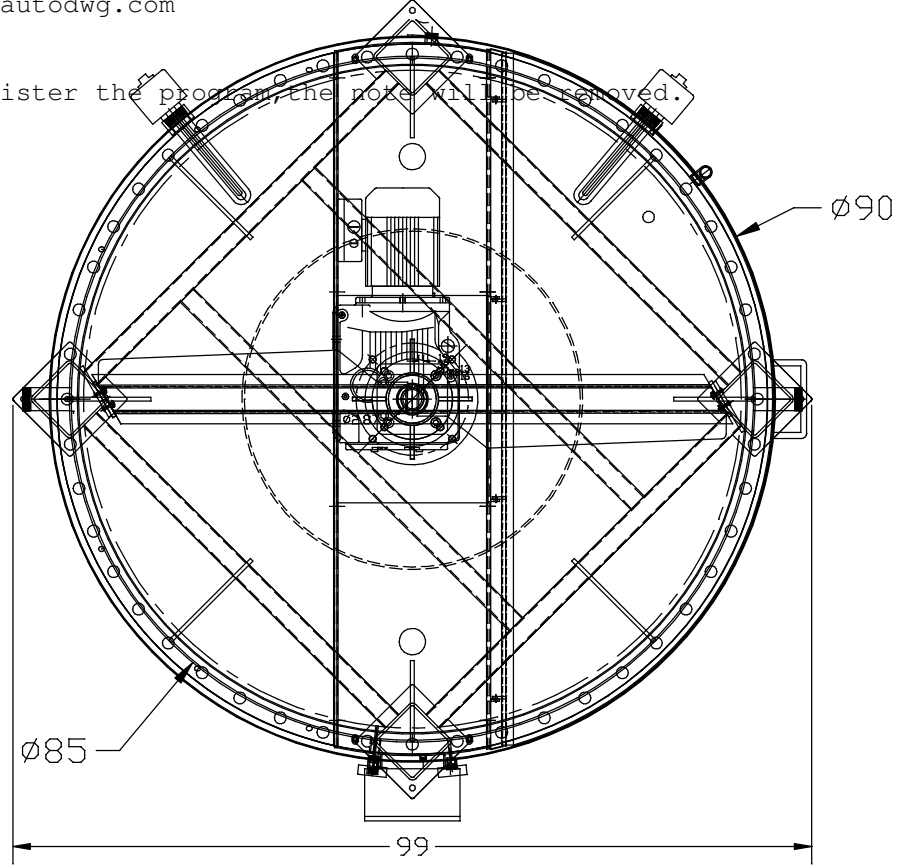
TINSLEY
 DESIGN & FABRICATING INC.



1000 GALLON TANK



Please goto <http://www.autodwg.com> to register the program, the note will be removed.



2000 GALLON TANK